



# MARKS USA

## Custom Lockset Addendum

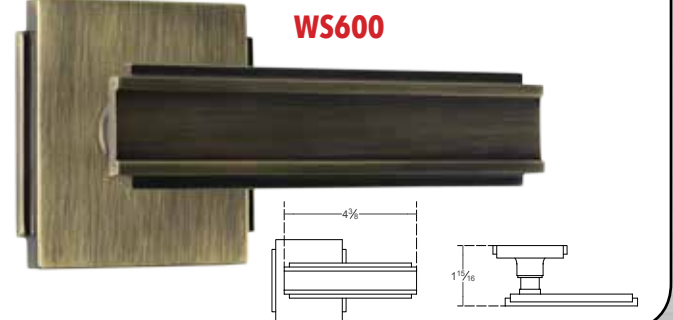
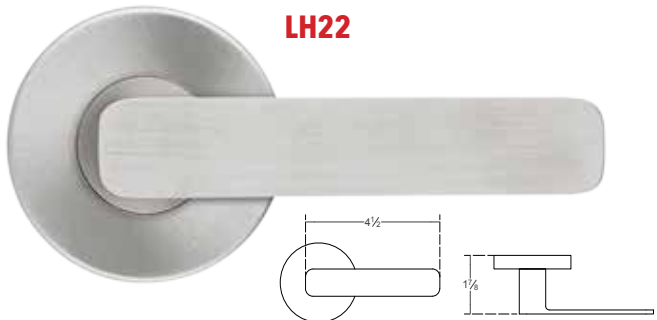
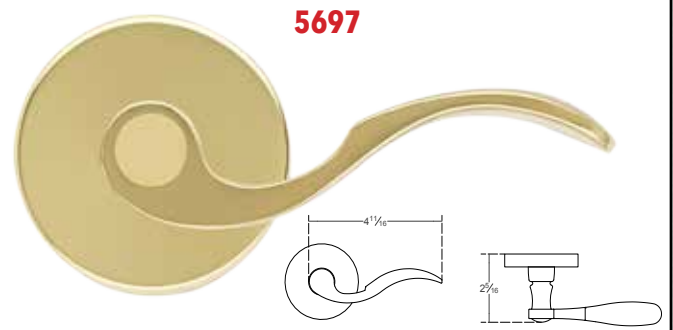
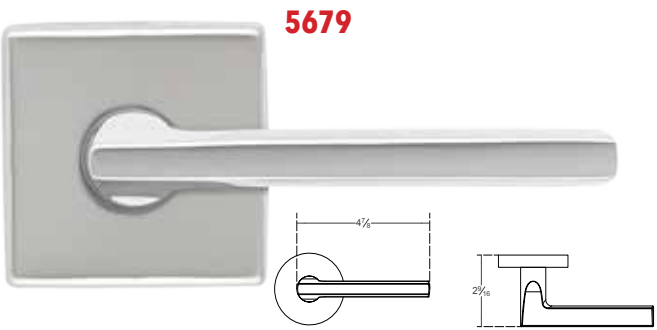
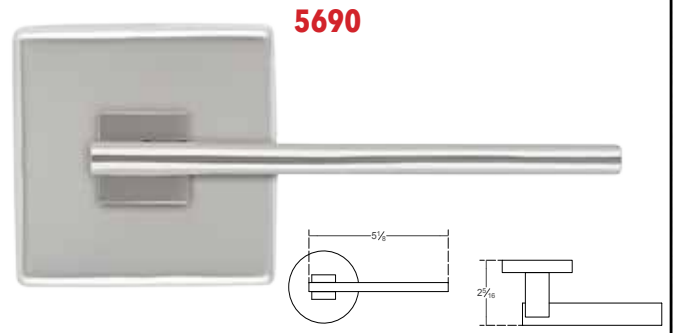
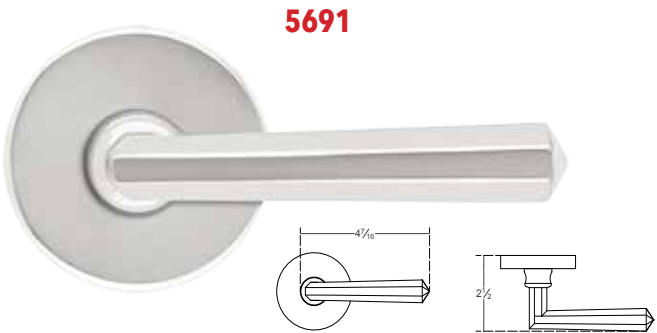
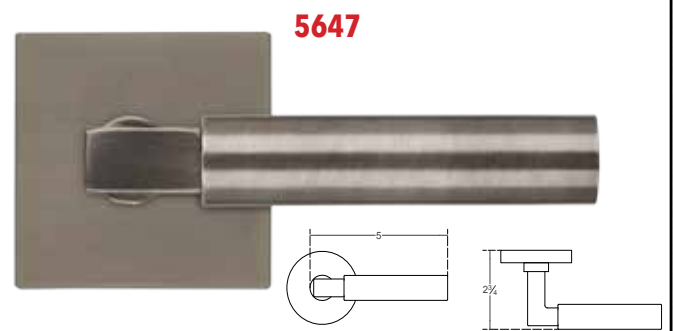
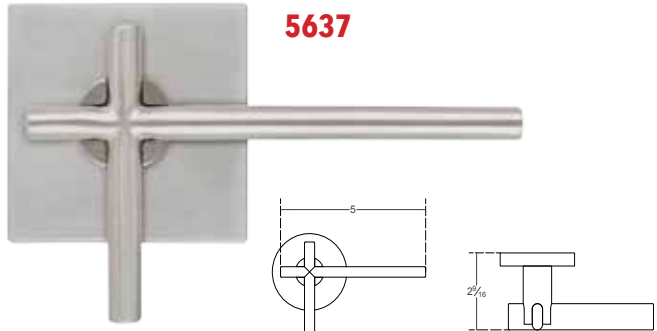
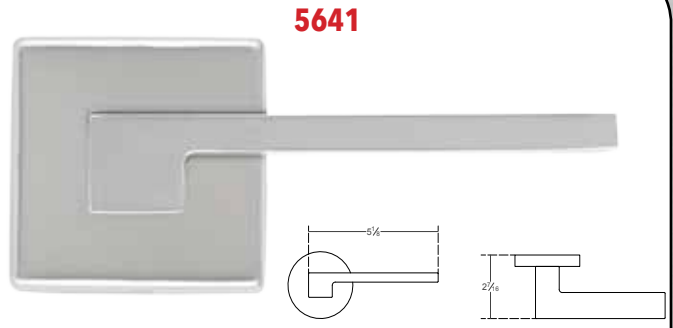
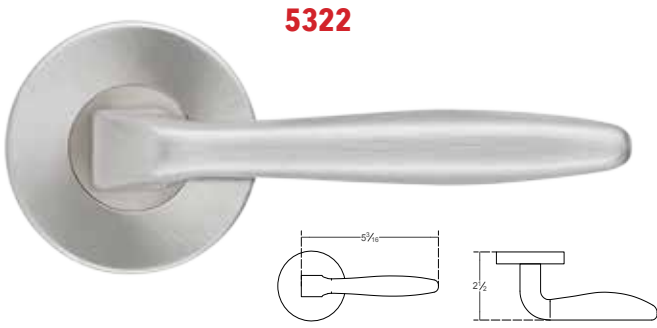


*Marks USA custom escutcheon plate and lever used throughout the Trump® International Hotel in Washington D.C.*



*Make a custom look all your own: Limitless selection of Grade 1 Trims & Finishes*

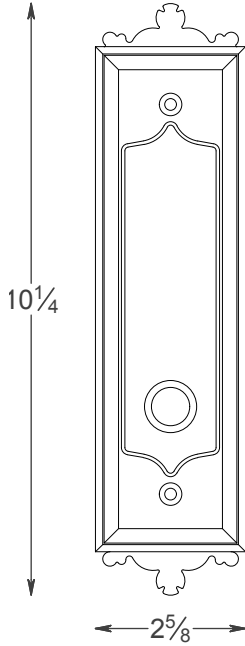
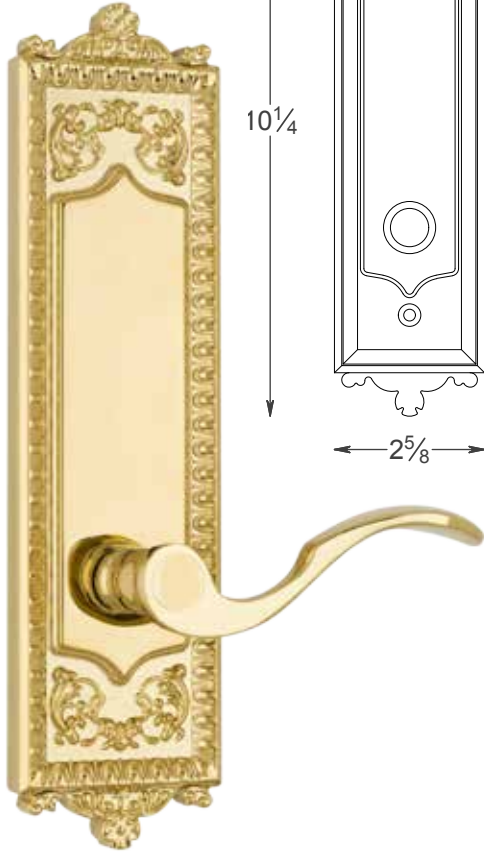
# Additional Custom Designs



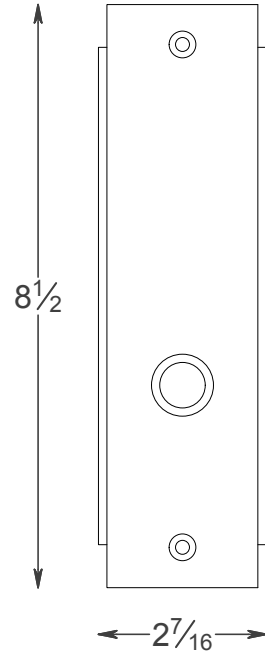


# Additional Custom Designs

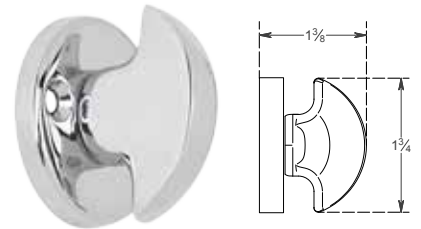
**WP02**



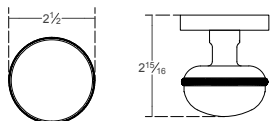
**W04**



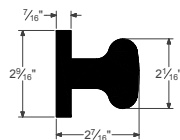
**Option Code T15**



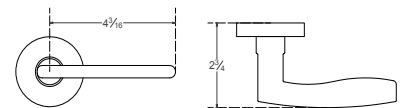
**9633**



**9691**



**5697**



# ArchiTech SERIES: STANDALONE, NETWORKED, ENTERPRISE

ArchiTech™ Series Networx™ Locks are an ideal access control solution; elegantly blending advanced wireless access control convenience within any décor, in an attractive, infinitely customizable designer locking form factor, in choice of trims and finishes. Ideal for educational, commercial office or multi-dwelling residential settings, these stylish, durable locks, leveraging proven Networx access control technology, offer a choice of ID credential and multi-technology reader in several styles, plus a choice of over 300 Grade 1 lock trims and finishes. ArchiTech can be used to control access a door at a time; across a wireless network; or as an integral part of a new or existing enterprise security system—spanning a few, or thousands of doors, in one building, a campus or multiple sites around the world. For more information on our ArchiTech Solutions also visit [www.architechnetworx.com](http://www.architechnetworx.com)

## The Key is Your Smartphone & More Secure Technology



Any Smart Device can be the Access Key: Much more than an ID card displayed on your smartphone, for your security, ArchiTech & its **iLock™ App** are wirelessly linked together, each supplying its portion of stored encrypted data to provide secure access without a key, fuss or worry, ensuring user identities. A unique combination of convenience and clone-proof peace of mind, the ArchiTech platform uses universally-compatible **Bluetooth LE™** technology, so they can use any smart device

to unlock ArchiTech on your door(s); and do so from afar, at a comfortable, customizable *range of up to 30 feet away*. For even greater security users can add an optional passcode, entered on their phone App.

Coming soon: emailable digital *eKeys* for guests or service temporary access, too.



## CONVENIENT ACCESS CONTROL OPTIONS:

Choose from access ID cards, keyfobs, portable pendants/buttons &/or Smart Device with App.

Optional keyfobs for convenience or lock-down in an emergency condition. Both global lockdown and unlock are also provided at server, for networked systems.



ArchiTech's advanced Networx electronics can either be concealed entirely within door (left) or surface mounted on back (right).



# MARKS USA

Marks USA • 365 Bayview Ave. • Amityville, NY 11701

631-225-5400 • 800-526-0233 • Fax: 631-225-6136

[www.marksusa.com](http://www.marksusa.com)



Marks USA is a Division of NAPCO Security Technologies, Inc. (NASDAQ: NSSC)

ArchiTech and Networx are trademarks of NAPCO. Trump International Hotel and other trademarks listed are properties of their respective companies.

©Marks USA, 12.2015 A680

Lifetime warranty limited to mechanical lock (excluding finish). See full details at [www.marksusa.com](http://www.marksusa.com)