



MARKSUSA

Custom Lockset Addendum



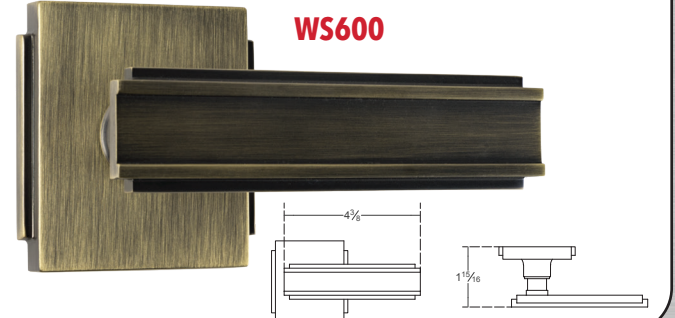
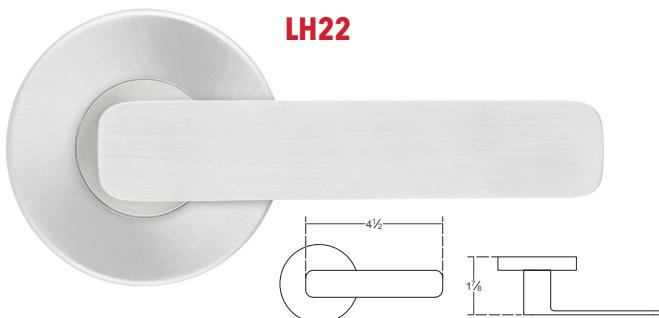
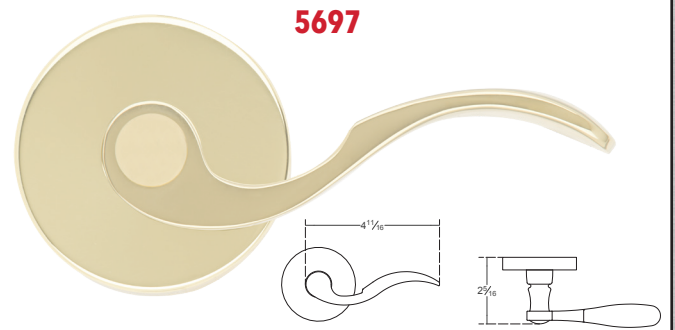
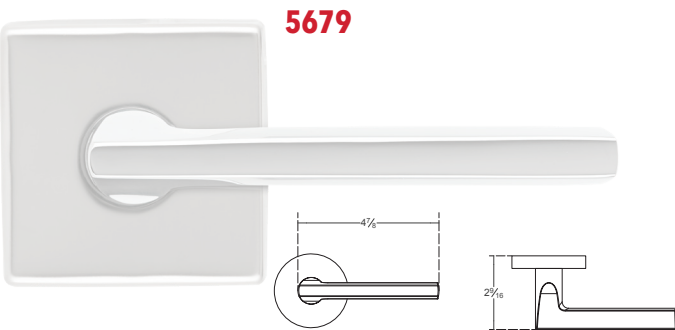
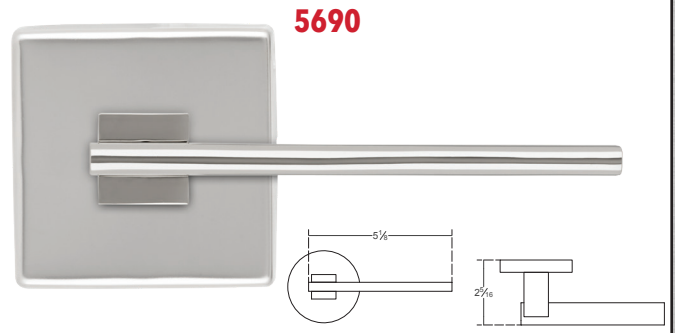
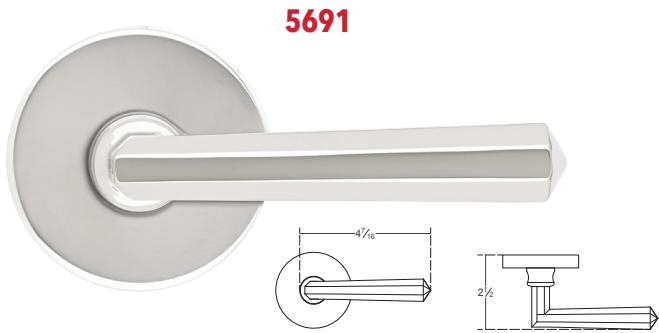
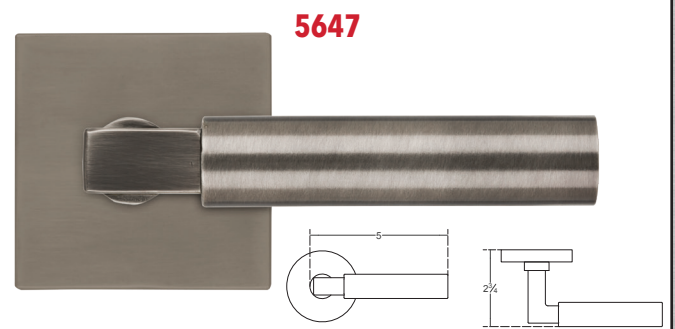
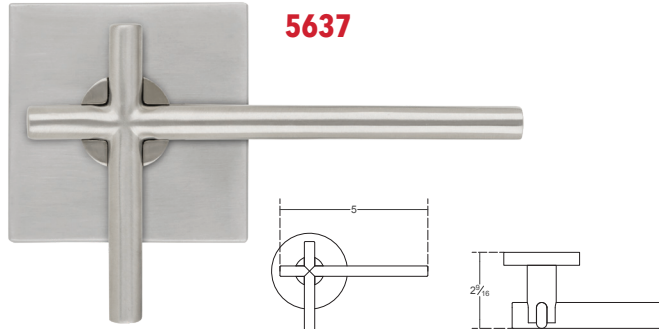
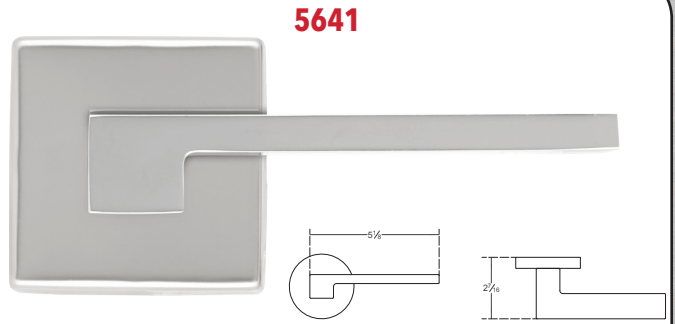
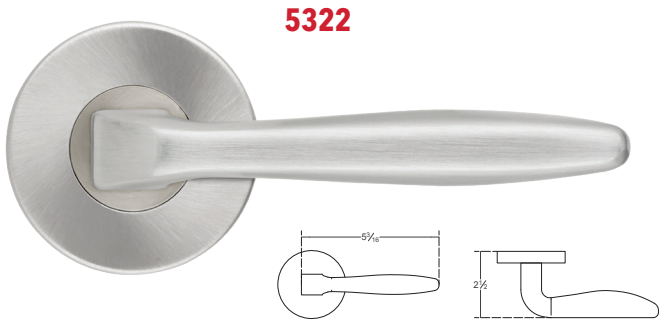
- ☛ Styles For Any Door & Application
- ☛ Custom Levers, Roses, Knobs, Turnpieces & Escutcheons
- ☛ Matched Mortise & Tubular Locksets For Exterior, Interior & All The Doors In Between
- ☛ Integrated Access Control Lock & OEM Options With Over 300 Trims & Architectural Finishes



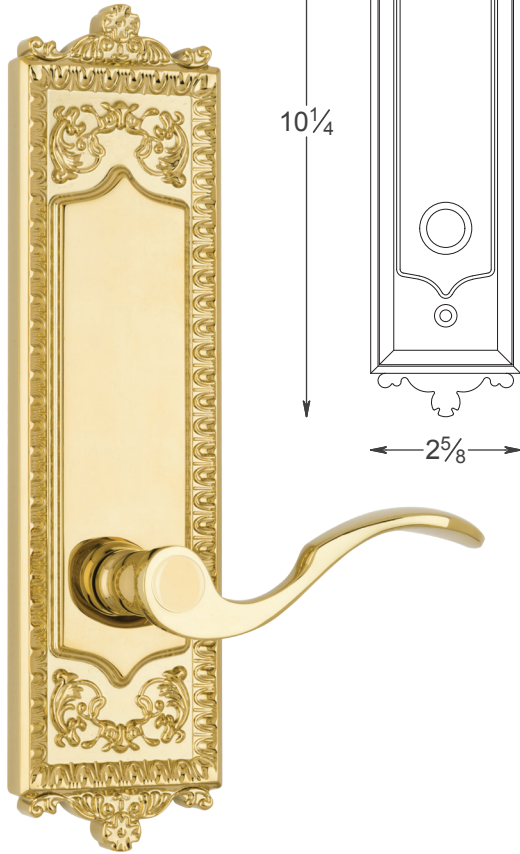
Select Styles In Stock
for Quick Shipment



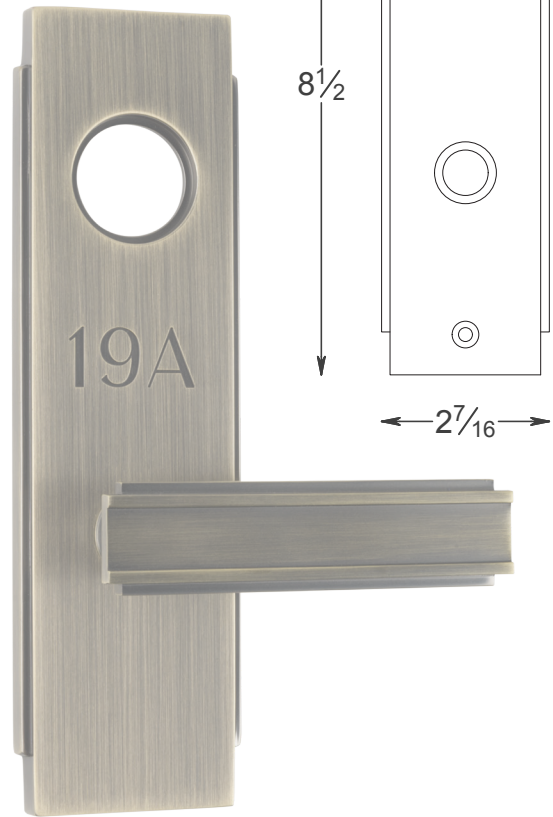
Division of Napco Security Technologies, Inc.
NAPCO
SECURITY TECHNOLOGIES



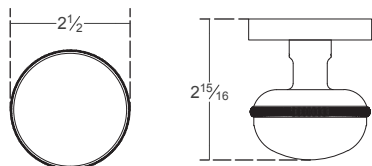
WP02



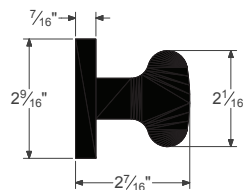
W04



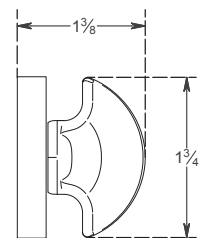
9633



9691



Option Code T15



ArchiTech™ SERIES: STANDALONE, NETWORKED, ENTERPRISE

ArchiTech™ Series Network Locks are an ideal access control solution; elegantly blending advanced wireless access control convenience within any décor, in an attractive, infinitely customizable designer locking form factor, in choice of trims and finishes. Ideal for educational, commercial office or multi-dwelling residential settings, these stylish, durable locks, leveraging proven Networkx access control technology, offer a choice of ID credential and multi-technology reader in several styles, plus a choice of over 300 lock trims and finishes. ArchiTech can be used to control access a door at a time; across a wireless network; or as an integral part of a new or existing enterprise security system—spanning a few, or thousands of doors, in one building, a campus or multiple sites around the world. For more information on our ArchiTech Solutions also visit www.architechnetworkx.com

ArchiTech Series: Wireless Keyless Access System: The Key is Your Smartphone & More Secure Technology

Any Smart Device can be the Access Key: Much more than an ID card displayed on your smartphone, for your security, ArchiTech & its iLock™ App are wirelessly linked together, each supplying its portion of stored encrypted data to provide secure access without a key, fuss or worry, ensuring user identities. A unique combination of convenience and clone-proof peace of mind, the ArchiTech platform uses universally-compatible Bluetooth LE™ technology, so they can use any smart device to unlock ArchiTech on your door(s); and do so from afar, at a comfortable, customizable range of up to 30 feet away. For even greater security users can add an optional passcode, entered on their phone App.



CONVENIENT ACCESS CONTROL OPTIONS:

Choose from access ID cards, keyfobs, portable pendants/ buttons &/or Smart Device with App.

Optional keyfobs for convenience or lock-down in an emergency condition. Both global lockdown and unlock are also provided at server, for networked systems.



Marks USA • 365 Bayview Ave. • Amityville, NY 11701
800.645.9445 • Fax: 631.789.9292
www.marksusa.com

On Cover (left to right): Marks custom locks are featured in a growing number of high-profile projects, i.e., The Pyramid Building, aka VIA 57 West; The Plaza Hotel & Condominiums in New York; Waldorf Astoria Washington D.C., and the Lucida & Georgica Buildings, and many more, worldwide.



Marks USA is a Division of NAPCO Security Technologies, Inc. (NASDAQ: NSSC)
ArchiTech is a trademark of NAPCO. and other trademarks listed are properties of their respective companies.
©Marks USA, 2024.10 A680A

Lifetime warranty limited to mechanical lock (excluding finish). See full details at www.marksusa.com

Scan for Marks
Custom Lock Catalog

